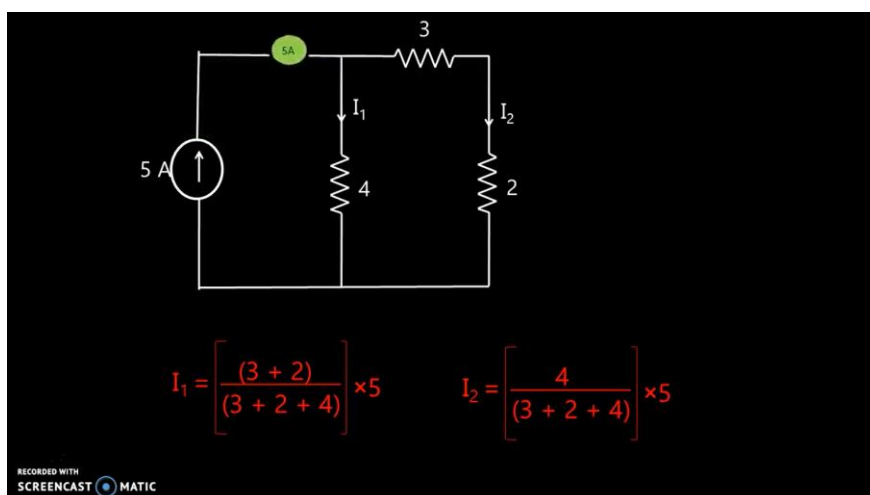




DEPARTMENT OF ELECTRICAL AND ELECTRONICS ENGINEERING
Activity Supports Employability/Entrepreneurship/Skill Development

Course Code : 19UEE302
Course Name : Electrical Circuit Analysis
Academic Year : 2020 – 2021 (ODD) Class : II Year

Category	Employability
Activity	Animated videos on basic Theorems
Topic	Maximum Power Transfer Theorem



Maximum Power Transfer Theorem

Outcome	It is the mathematical analysis of an electrical or electronic circuit. It is the process of studying and analyzing electrical quantities through calculations . By this analysis, the unknown elements of a circuit, such as voltage, current, resistance, impedance, power, among others, across its component can be found out. One can find the solutions for all the problems regarding the electrical and electronics applications by understanding the concepts of this course. So, this course helps the students to increase the employability in all the companies.
---------	--

Course Instructor

HoD/EEE